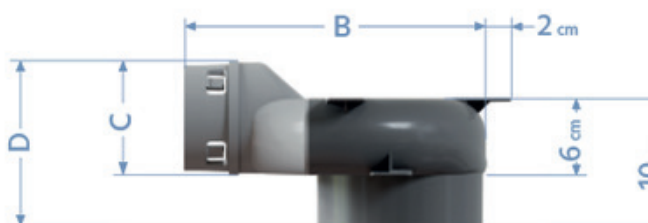


Angular plenum boxes Ø75

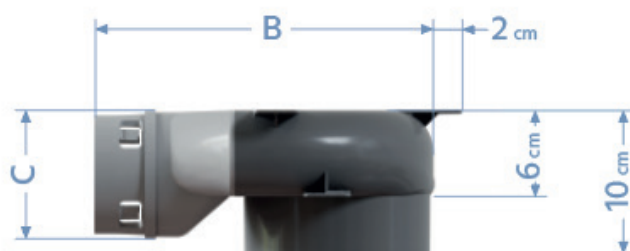
plastic material



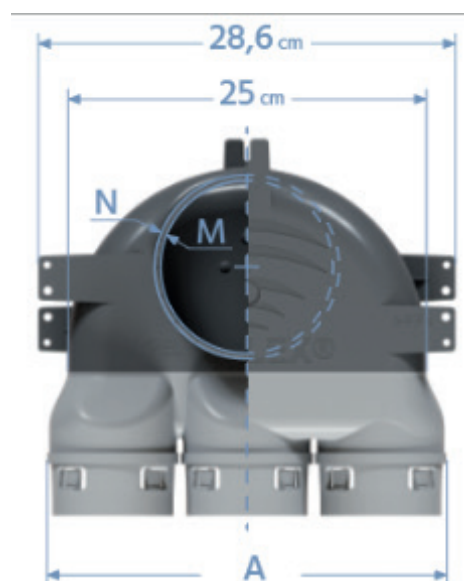
DIMENSIONS



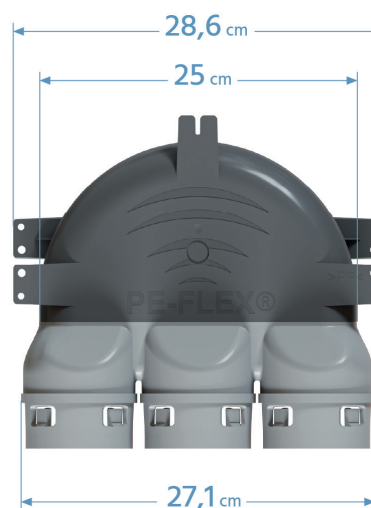
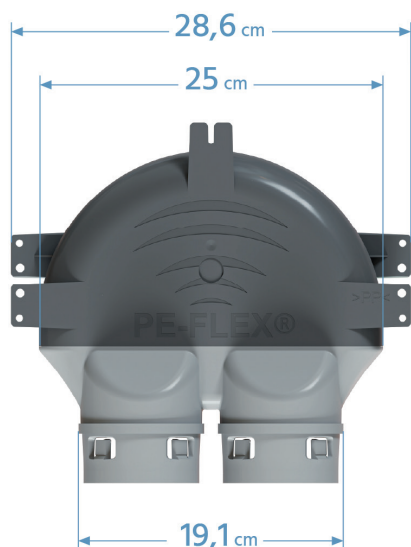
Floor plenum box



Ceiling plenum box



Nipple version (N)
Socket version (M)



	Type of plenum box:	2x75/Socket 2x75/Nipple	3x75/Socket 3x75/Nipple
M	Diameter of spigot for anemostat - socket	125	125
N	Diameter of spigot for extension - nipple	123	123
	Height of the DARK GREY body [cm]	6	6
C	Height of the connection socket [cm]	8,8	8,8
	Width without mounting brackets [cm]	25	25
	Width with mounting brackets [cm]	28,6	28,6
A	A -Width of connecting socket [cm]	19,10	27,10
B	B -Depth without mounting bracket [cm]	24	24
	Depth with mounting bracket [cm]	26	26
	Length of spigot $\varnothing 125/ \varnothing 123$ mm [cm].	4	4
	Total height of the box (body + spigot) in ceiling version [cm]	10	10
	D - Total height of box (body + spigot) in floor version [cm]	12,8	12,8

DESCRIPTION

The plenum box is made entirely of durable polypropylene. All sockets are equipped with a factory-built gaskets, which significantly speeds up the assembly of the system (with a CLICK) and guarantees its tightness. Suitable for PE-FLEX® ventilation ducts with a diameter of $\varnothing 75$ mm.

It is available with a spigot for direct connection of a $\varnothing 125$ mm diffuser (socket) or with a connection $\varnothing 123$ mm (nipple) for extension.