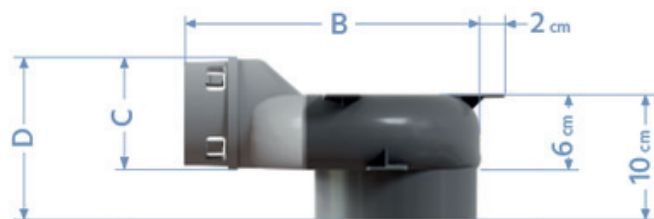


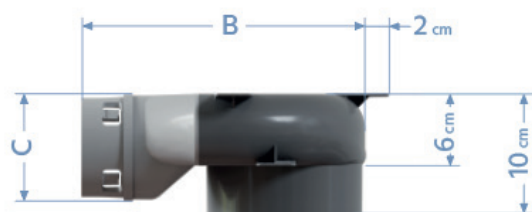
Angular plenum boxes Ø90 plastic material



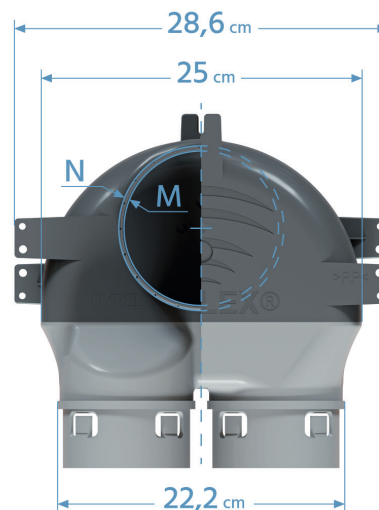
DIMENSIONS



Floor box



Ceiling box



Socket version (M)

	Type of plenum box:	2x90/123 2x90/125
M	Diameter of spigot for anemostat - socket	125
N	Diameter of spigot for extension - nipple	123
	Height of the body [cm]	6
C	Height of the connection socket [cm]	10,3
	Width without installation brackets [cm]	25
	Width with mounting brackets [cm]	28,6
A	Width with mounting brackets [cm]	22,2
B	Depth without mounting bracket [cm]	25
	Depth with mounting bracket [cm].	27
	Length of spigot Ø125/ Ø123 mm [cm].	4
	Total height of box (body + spigot) in ceiling version [cm].	10
D	Total height of box (body + spigot) in floor version [cm].	14,5

DESCRIPTION

The plenum box is made entirely of durable polypropylene. **All sockets are equipped with a factory-built gasket** and a CLICK connection, which greatly speeds up installation and guarantees its tightness. Suitable for PE-FLEX® ducts of Ø90 mm.

It is available with a Ø125 mm spigot for direct connection to the diffuser (socket) or with a Ø123 mm spigot (nipple) for extension.