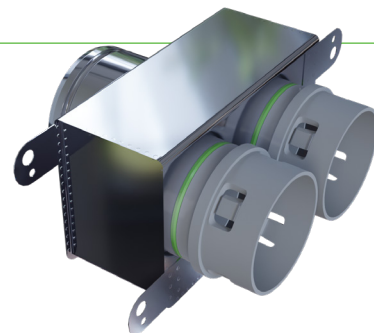
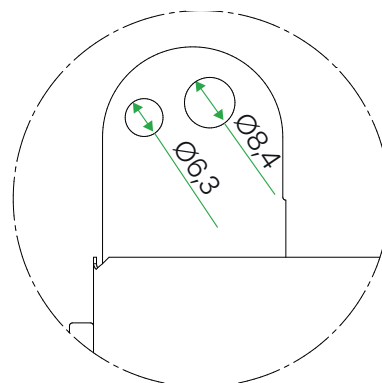
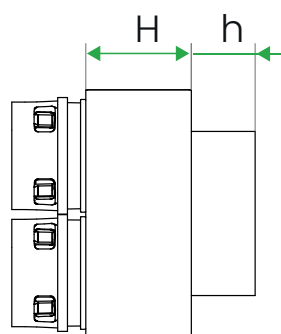
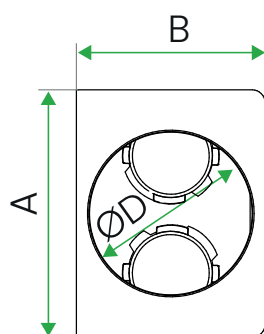


## PEFLEX INOX Stainless Steel Pass-through Plenum Box

For ventilation ducts Ø75



### Dimensions



#### Boxes with nipple spigot (for extension)

	Product code	Number of spigots	ØD (hole diameter) [mm]	A (length) [mm]	B (width) [mm]	H (height) [mm]	h (spigot height) [mm]
For Ø100 diffusers	1x75/98	1	98	140	120	83	53
	2x75/98	2		190			
	3x75/98	3		280			
For Ø125 diffusers	1x75/123	1	123	170	145		
	2x75/123	2		190			
	3x75/123	3		280			
For Ø160 diffusers	1x75/158	1	158	200	180		
	2x75/158	2		200			
	3x75/158	3		280			

#### Boxes with socket spigot (for direct connection to the diffuser)

	Product code	Number of spigots	ØD (hole diameter) [mm]	A (length) [mm]	B (width) [mm]	H (height) [mm]	h (spigot height) [mm]
For Ø100 diffusers	1x75/100	1	100	140	120	83	53
	2x75/100	2		190			
	3x75/100	3		280			
For Ø125 diffusers	1x75/125	1	125	170	145		
	2x75/125	2		190			
	3x75/125	3		280			
For Ø160 diffusers	1x75/160	1	160	200	180		
	2x75/160	2		200			
	3x75/160	3		280			

## Description

PEFLEX INOX stainless steel plenum boxes are equipped with plastic connection sockets for ducts **in the CLIK system with a built-in gasket**, which significantly speeds up the installation and **guarantees its tightness**. PEFLEX INOX Ø75 plenum boxes are designed for the installation of round PEFLEX ventilation ducts with an outer diameter of 75 mm. Each box is equipped with mounting brackets with hole diameters of Ø6.3 and Ø8.4 mm.

**PEFLEX INOX pass - through plenum boxes** are available in two variants, with the following connectors:

- **socket** - for direct connection of Ø100, Ø125 or Ø160 diffusers.
- **nipple** - for mounting an extension tube with an internal diameter of 100, 125 or 160 mm.