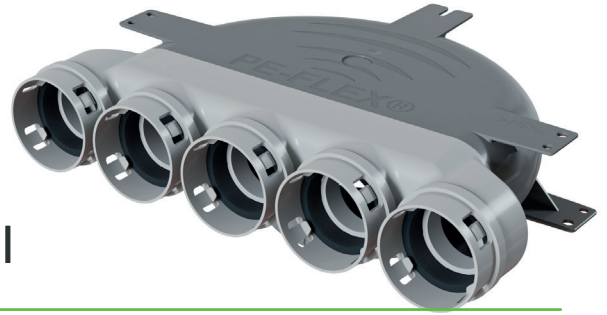
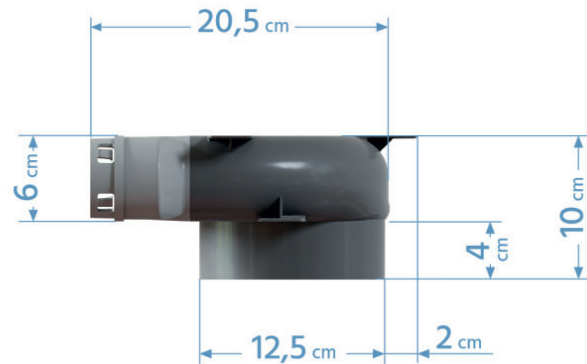
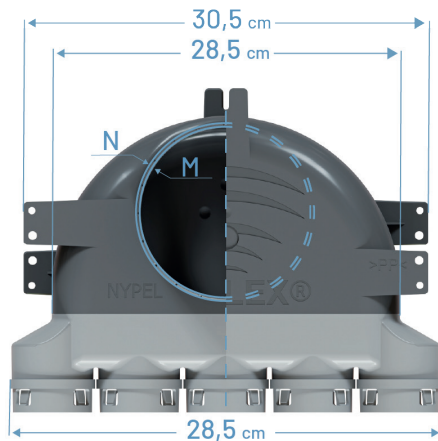


# Angular plenum boxes Ø50 plastic material



## DIMENSIONS



|   | Type of plenum box:                           | 5x50/123<br>5x50/125 |
|---|---|----------------------|
| M | Diameter of spigot for anemostat - socket     | 125                  |
| N | Diameter of spigot for extension - nipple     | 123                  |
|   | Height of the body [cm]                       | 6                    |
| C | Height of the connection socket [cm]          | 6                    |
|   | Width without installation brackets [cm]      | 25,5                 |
|   | Width with mounting brackets [cm]             | 30,5                 |
| A | Width with mounting brackets [cm]             | 28,5                 |
| B | Depth without mounting bracket [cm]           | 23                   |
|   | Depth with mounting bracket [cm].             | 29                   |
|   | Length of spigot Ø125/ Ø123 mm [cm]           | 4                    |
| D | Total height of the box (body + spigot) [cm]. | 10                   |

## DESCRIPTION

The plenum box is made entirely of durable polypropylene. **All the sockets are equipped with a factory-built gasket** and a CLICK connection, which greatly speeds up installation and guarantees its tightness. Suitable for PE-FLEX® ducts of Ø50 mm.

It is available with a Ø125 mm spigot for direct connection to the diffuser (socket) or with a Ø123 mm spigot (nipple) for extension.