



Description:

The PEFLEX Air Inlet/Outlet grilles are aesthetic and durable terminations for mechanical ventilation systems with heat recovery (HRV). As a visible element mounted on the building facade or soffit, they combine modern design with high-quality stainless steel craftsmanship. They offer functionality, aesthetics, and weather resistance, providing a seamless finish to the ventilation system.

Application:

Fresh air inlet or stale air outlet for mechanical ventilation systems with heat recovery (HRV).

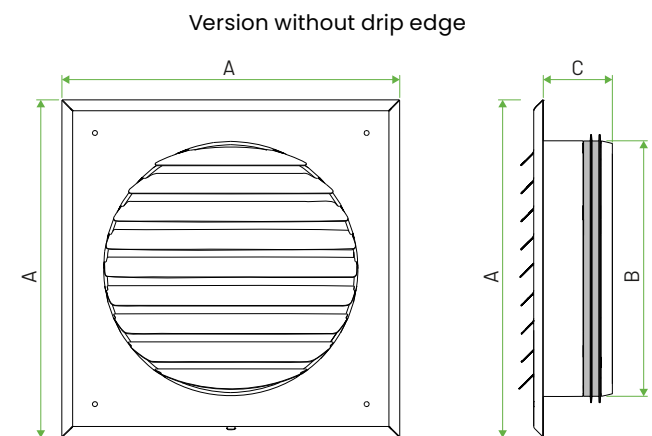
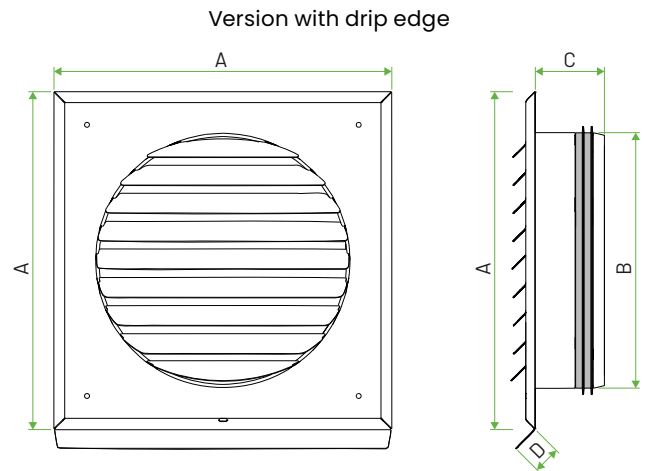
Variants:

- Diameters: Ø160, Ø200, Ø250, Ø315 mm
- Colors: inox (brushed stainless steel), anthracite, black, white
- With drip edge / Without drip edge

Technical features:

- Available Diameters: Ø160, Ø200, Ø250, Ø315 mm
- Colors: Inox (Brushed stainless steel), Anthracite (RAL 7016), Black (RAL 9005), White (RAL 9016)
- Material: Chromium-nickel steel (0.5–0.8 mm thickness)
Application: Indoor and outdoor installation
- Function: External air inlet or outlet for ventilation systems
- Mounting Collar: Long (60 mm), equipped with a double-lip gasket
- Mounting Holes: 4 holes located in the corners of the grille

Dimensions:



Dimensions [mm]	A	B	C	D
Inlet / Outlet 160	234	156	60	21
Inlet / Outlet 200	283	196	60	21
Inlet / Outlet 250	310	246	60	21
Inlet / Outlet 315	380	311	60	21