



Description:

Angular boxes designed for connecting air intake or extract mounted within the roof soffit. They enable a precise 90° transition between the ventilation duct and the inlet/outlet grille. Made from high-quality 0.5 mm thick stainless steel (INOX). Available in both insulated and non-insulated two standard variants: Ø 200 mm and Ø 250 mm.

Application:

- Designed for mounting flat air inlet or outlet grilles within the roof soffit.
- Feature a nipple connection with a gasket to ensure a completely airtight seal with the ventilation duct.
- A dedicated solution for areas with limited installation space, serving as a compact alternative to flexible ducts and traditional rigid elbow configurations.
- Enable a 90° change in installation direction while maintaining lower airflow resistance compared to standard fittings.

Variants:

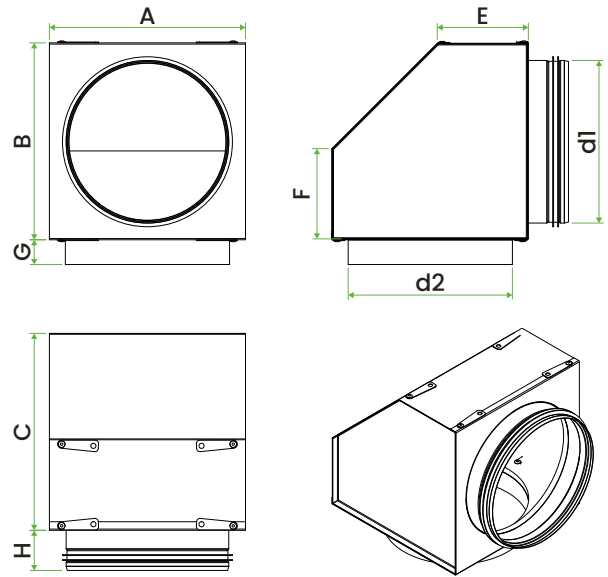
- Ø 160 mm nipple / Ø 200 mm socket
- Ø 200 mm nipple / Ø 200 socket
- Ø 200 mm nipple / Ø 250 mm socket

All variants are available in both insulated and non-insulated versions.

Technical features:

- Material: High-grade stainless steel 0.5 mm thick.
- Duct Connection: Nipple connection equipped with a gasket for airtight duct attachment (length: 50 mm).
- Intake/Extract Connection: Socket connection for mounting the air inlet or outlet grille (length: 30 mm).
- Soffit Mounting System: Features 8 rotating brackets with pre-drilled mounting holes (4 upper and 4 lower brackets) for secure installation.
- Insulated Version: Includes 9 mm thick internal rubber insulation for enhanced thermal performance.

Dimensions:



Variant	Nipple 160 Socket 200	Nipple 200 Socket 200	Nipple 200 Socket 250
A	240	240	290
B	201	241	241
C	240	240	289
d1	158	198	198
d2	200	200	250
E	111	111	147
F	72	97	111
G	30	30	30
H	50	50	50