

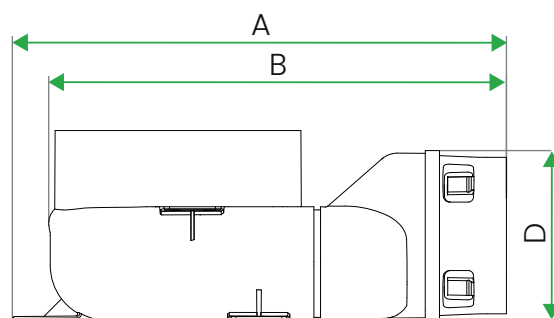
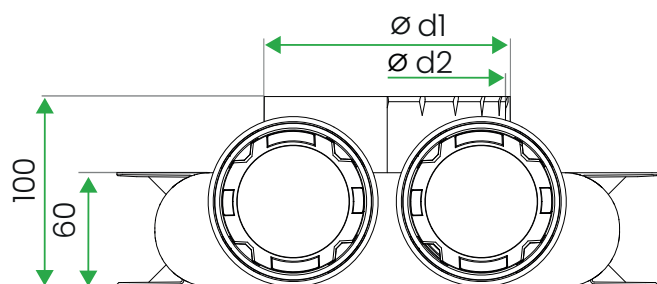
## PEFLEX 2X75 PP Plastic Plenum Box

For ventilation ducts  $\varnothing 75$  mm

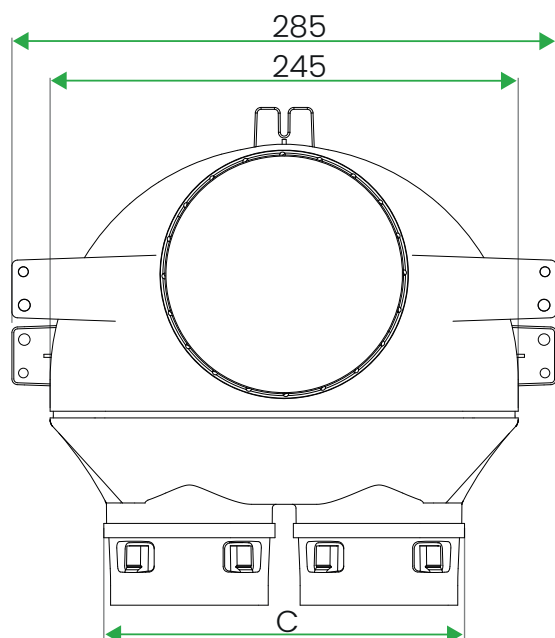
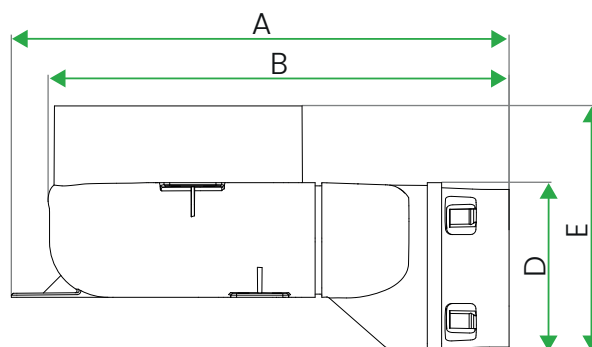
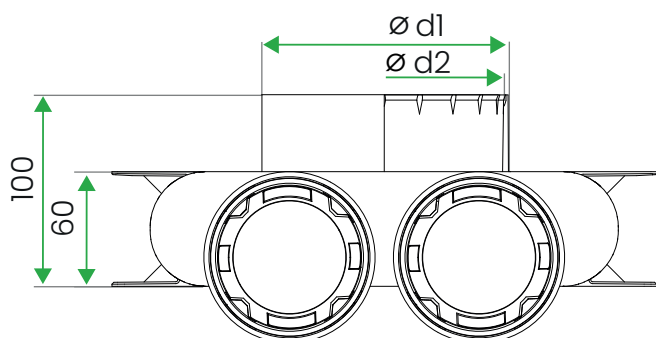


### Dimensions

Ceiling mounting



Floor mounting



Dimension	Nipple	Socket
d1	123	130
d2	118	125

	A	B	C	D	E
2x75	260	240	191	88	128

## DESCRIPTION

The **PEFLEX PP angular plenum boxes** are used to connect supply and exhaust air diffusers with PEFLEX system ventilation ducts. Their design stabilizes airflow by reducing its speed and minimizing noise and resistance.

Made from durable polypropylene with elasticity-enhancing additives, these boxes are distinguished by high durability, tightness, and resistance to damage, thanks to thick walls and the use of welding technology.

The 2x75 version allows for connection to two PEFLEX ducts with an external diameter of Ø75 mm and a maximum airflow of up to 60 m<sup>3</sup>/h. Unused couplers can be sealed with a plug.

There are **versions for ceiling and floor installation available**, tailored to various installation requirements.

**PEFLEX PP boxes** are available in two versions of spigots:

- **Socket Ø125 mm** – for direct connection of the air diffuser.
- **Nipple Ø123 mm** – for the installation of an extension Ø125 mm duct.

The boxes are equipped with **the CLICK system and built-in gaskets**, ensuring quick and airtight installation of ventilation ducts without the need for additional sealing components. The compact height of the casing (60 mm) allows for installation in confined spaces, such as low suspended ceilings or thin floors.